



Reciprocating Shakers



Providing Consistent, Repeatable Reciprocating Shaking Action for a Variety of Applications

OHAUS Reciprocating Shakers are designed for a range of applications including cell cultures and extraction procedures that require accurate, repeatable results. Our shakers are designed to provide consistent, uniform shaking action. The back-and-forth reciprocating motion has a 19 mm stroke length. Permanently lubricated ball bearings and maintenance-free, brushless DC motor provide reliable service and continuous-duty operation.

Standard Features Include:

- A flexible unit for the lab - our multi-purpose Reciprocating Shakers can be customized to fit your unique workflow needs using a wide variety of accessories.
- Reciprocating motion is ideal for gentle-to-vigorous mixing of separatory funnels with the sturdy separatory funnel platform. Other optional platforms for flask clamps, media bottles and tube racks.
- Designed for safety - speed ramping feature slowly increases speed to avoid splashing. Load sensor detects unbalanced conditions and automatically reduces to a safe speed to protect samples.

Specifications Reciprocating Shakers

| Model | SHRC0719DG |
|--------------------------------|--|
| Control | Digital |
| Motion | Reciprocating, 0.75 in. / 19 mm |
| Speed Range | 20 rpm – 300 rpm |
| Speed Accuracy | ± 2 rpm, Above 100 rpm ± 2% of set speed |
| Timer | 1 second – 160 hours |
| Capacity | 15 lb / 6.8 kg |
| Calibration | Speed calibration |
| Communication | RS232 (Included) |
| Working Environment | 14 °F – 140 °F, 80% RH*, non-condensing / -10 °C – 60 °C, 80% RH, non-condensing |
| Drive System | Brushless DC Motor; Single Eccentric |
| Included Tray (L x W) | 11 in. x 13 in. / 279 mm x 330 mm |
| Tray Construction | Aluminum |
| Overall Dimensions (L x W x H) | 16.3 in. x 14 in. x 5.9 in. / 413 mm x 355 mm x 149 mm |
| Net Weight | 48.1 lb / 21.8 kg |
| Power | 120V, 5A, 50/60Hz |
| Power Consumption | 40 W |

*Relative Humidity

Other Standard Features and Equipment

Built-in tray with a non-slip rubber mat (included), overload protection with audible and visual signals, audible alarm

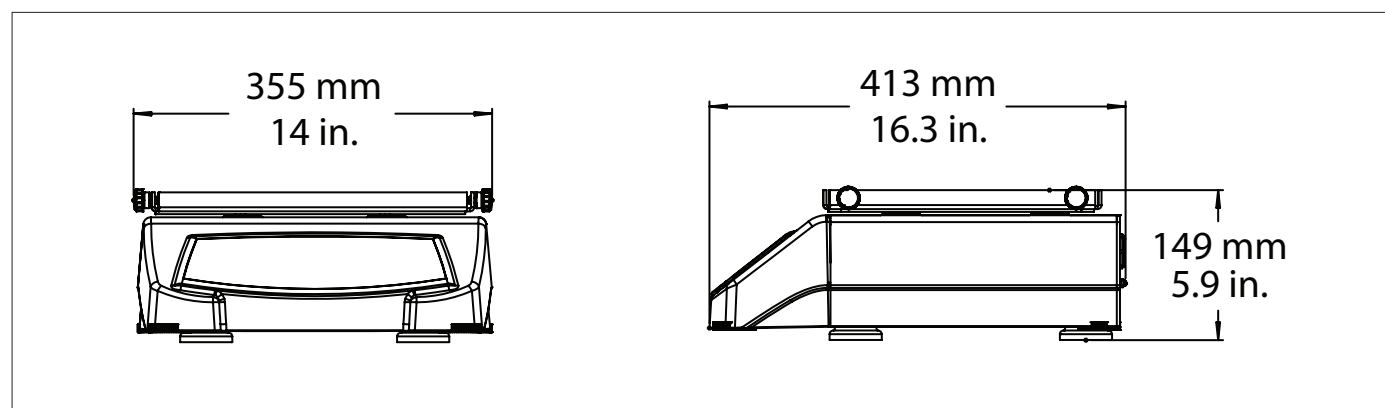
Compliance

- **Product Safety:** CAN/CSA C22.2 61010-1, CAN/CSA C22.2 61010-2-051, UL 61010-1
- **Electromagnetic Compatibility:** ICES-003 Class A, FCC Part 15 Class A
- **Compliance Marks:** TÜV SÜD

Applications

Chemical extractions, blood sample mixing, gel staining, cell cultures, solubility studies

Dimensions

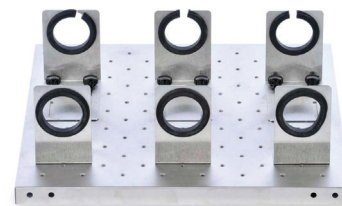


Accessories Reciprocating Shakers

| Platforms for Reciprocating Shakers | |
|-------------------------------------|---|
| Item No. | Description |
| 30400052 | Universal Platform, 28 × 33 cm, S/S |
| 30400053 | Universal Platform, 33 × 33 cm, S/S |
| 30400054 | Universal Platform, 46 × 46 cm, S/S |
| 30400056 | Universal Platform, 61 × 46 cm, S/S |
| 30400066 | Culture Platform with Mat, 46 × 46 cm |
| 30400067 | Culture Platform with Mat, 46 × 61 cm |
| 30400075 | Dedicated Platform, 33 × 33 cm, 125 mL |
| 30400076 | Dedicated Platform, 33 × 33 cm, 250 mL |
| 30400077 | Dedicated Platform, 33 × 33 cm, 500 mL |
| 30400078 | Dedicated Platform, 33 × 33 cm, 1000 mL |
| 30400079 | Dedicated Platform, 46 × 46 cm, 125 mL |
| 30400080 | Dedicated Platform, 46 × 46 cm, 250 mL |
| 30400081 | Dedicated Platform, 46 × 46 cm, 500 mL |
| 30400082 | Dedicated Platform, 46 × 46 cm, 1000 mL |
| 30400083 | Separatory Funnel Platform 46 × 46 cm |



30400052
Universal Platform, 28 × 33 cm



30400083
Separatory Funnel Platform, 46 × 46 cm

| Accessories for Universal Platform—28 × 33 cm (Item No. 30400052) | | |
|---|----------------------------------|-------------------|
| Item No. | Description | Max. per Platform |
| 30400084 | Flask Clamp, 10 mL | 60 |
| 30400085 | Flask Clamp, 25 mL | 25 |
| 30400086 | Flask Clamp, 50 mL | 13 |
| 30400087 | Flask Clamp, 125 mL | 10 |
| 30400088 | Flask Clamp, 250 mL | 9 |
| 30400089 | Flask Clamp, 500 mL | 7 |
| 30400090 | 1 Liter Erlenmeyer Flask Clamp | 4 |
| 30400097 | 500 mL Media Bottle Clamp | 5 |
| 30400098 | 1000 mL Media Bottle Clamp | 2 |
| 30400099 | Flask Clamp PVC 125 mL | 10 |
| 30400100 | Flask Clamp PVC 250 mL | 8 |
| 30400101 | Flask Clamp PVC 500 mL | 5 |
| 30400102 | Flask Clamp PVC 1000 mL | 2 |
| 30400105 | Test Tube Rack 13 mm Pivoting | 1 |
| 30400106 | Test Tube Rack 16 mm Pivoting | 1 |
| 30400107 | Test Tube Rack 20 mm Pivoting | 1 |
| 30400108 | Test Tube Rack 25 mm Pivoting | 1 |
| 30400109 | Test Tube Rack 30 mm Pivoting | 1 |
| 30400114 | Micro Tube Rack | 2 |
| 30400115 | Test Tube Rack 10-13 mm Diameter | 2 |
| 30400116 | Test Tube Rack 14-16 mm Diameter | 2 |
| 30400117 | Test Tube Rack 18-20 mm Diameter | 2 |
| 30400118 | Test Tube Rack 22-25 mm Diameter | 2 |
| 30400119 | Test Tube Rack For 15 mL Tubes | 2 |
| 30400120 | Test Tube Rack For 50 mL Tubes | 2 |
| 30400104 | Clamp Microplate Stainless Steel | 4 |
| 30400060 | Rubber Mat, 28 × 33 cm | 1 |

| Accessories for Universal Platform—33 × 33 cm (Item No. 30400053) | | |
|---|----------------------------------|-------------------|
| Item No. | Description | Max. per Platform |
| 30400084 | Flask Clamp, 10 mL | 60 |
| 30400085 | Flask Clamp, 25 mL | 30 |
| 30400086 | Flask Clamp, 50 mL | 15 |
| 30400087 | Flask Clamp, 125 mL | 12 |
| 30400088 | Flask Clamp, 250 mL | 12 |
| 30400089 | Flask Clamp, 500 mL | 8 |
| 30400090 | 1 Liter Erlenmeyer Flask Clamp | 4 |
| 30400091 | 2 Liter Erlenmeyer Flask Clamp | 3 |
| 30400092 | 2.8 Liter Erlenmeyer Flask Clamp | 1 |
| 30400093 | 3 Liter Erlenmeyer Flask Clamp | 1 |
| 30400094 | 4 Liter Erlenmeyer Flask Clamp | 1 |
| 30400095 | 5 Liter Erlenmeyer Flask Clamp | 1 |
| 30400096 | 6 Liter Erlenmeyer Flask Clamp | 1 |
| 30400097 | 500 mL Media Bottle Clamp | 6 |
| 30400098 | 1000 mL Media Bottle Clamp | 5 |
| 30400099 | Flask Clamp PVC 125 mL | 12 |
| 30400100 | Flask Clamp PVC 250 mL | 10 |
| 30400101 | Flask Clamp PVC 500 mL | 6 |
| 30400102 | Flask Clamp PVC 1000 mL | 4 |
| 30400103 | Flask Clamp PVC 2000 mL | 3 |
| 30400105 | Test Tube Rack 13 mm Pivoting | 2 |
| 30400106 | Test Tube Rack 16 mm Pivoting | 2 |
| 30400107 | Test Tube Rack 20 mm Pivoting | 2 |
| 30400108 | Test Tube Rack 25 mm Pivoting | 2 |
| 30400109 | Test Tube Rack 30 mm Pivoting | 2 |
| 30400114 | Micro Tube Rack | 2 |
| 30400115 | Test Tube Rack 10-13 mm Diameter | 2 |
| 30400116 | Test Tube Rack 14-16 mm Diameter | 2 |
| 30400117 | Test Tube Rack 18-20 mm Diameter | 2 |
| 30400118 | Test Tube Rack 22-25 mm Diameter | 2 |
| 30400119 | Test Tube Rack For 15 mL Tubes | 2 |
| 30400120 | Test Tube Rack For 50 mL Tubes | 2 |
| 30400104 | Clamp Microplate Stainless Steel | 6 |
| 30400061 | Rubber Mat, 33 × 33 cm | 1 |

Accessories Reciprocating Shakers

| Accessories for Universal Platform—46 × 46 cm (Item No. 30400054) | | |
|---|---------------------------------------|-------------------|
| Item No. | Description | Max. per Platform |
| 30400084 | Flask Clamp, 10 mL | 113 |
| 30400085 | Flask Clamp, 25 mL | 64 |
| 30400086 | Flask Clamp, 50 mL | 32 |
| 30400087 | Flask Clamp, 125 mL | 20 |
| 30400088 | Flask Clamp, 250 mL | 20 |
| 30400089 | Flask Clamp, 500 mL | 13 |
| 30400090 | 1 Liter Erlenmeyer Flask Clamp | 8 |
| 30400091 | 2 Liter Erlenmeyer Flask Clamp | 5 |
| 30400092 | 2.8 Liter Erlenmeyer Flask Clamp | 2 |
| 30400093 | 3 Liter Erlenmeyer Flask Clamp | 2 |
| 30400094 | 4 Liter Erlenmeyer Flask Clamp | 4 |
| 30400095 | 5 Liter Erlenmeyer Flask Clamp | 4 |
| 30400096 | 6 Liter Erlenmeyer Flask Clamp | 2 |
| 30400097 | 500 mL Media Bottle Clamp | 16 |
| 30400098 | 1000 mL Media Bottle Clamp | 10 |
| 30400099 | Flask Clamp PVC 125 mL | 20 |
| 30400100 | Flask Clamp PVC 250 mL | 18 |
| 30400101 | Flask Clamp PVC 500 mL | 12 |
| 30400102 | Flask Clamp PVC 1000 mL | 8 |
| 30400103 | Flask Clamp PVC 2000 mL | 4 |
| 30400105 | Test Tube Rack 13 mm Pivoting | 2 |
| 30400106 | Test Tube Rack 16 mm Pivoting | 2 |
| 30400107 | Test Tube Rack 20 mm Pivoting | 2 |
| 30400108 | Test Tube Rack 25 mm Pivoting | 2 |
| 30400109 | Test Tube Rack 30 mm Pivoting | 2 |
| 30400110 | Test Tube Rack 10-14 mm Stationary | 3 |
| 30400111 | Test Tube Rack 16-20 mm Stationary | 3 |
| 30400112 | Test Tube Rack 21-25 mm Stationary | 3 |
| 30400113 | Test Tube Rack 50 mL Tubes Stationary | 3 |
| 30400114 | Micro Tube Rack | 4 |
| 30400115 | Test Tube Rack 10-13 mm Diameter | 4 |
| 30400116 | Test Tube Rack 14-16 mm Diameter | 4 |
| 30400117 | Test Tube Rack 18-20 mm Diameter | 4 |
| 30400118 | Test Tube Rack 22-25 mm Diameter | 4 |
| 30400119 | Test Tube Rack For 15 mL Tubes | 4 |
| 30400120 | Test Tube Rack For 50 mL Tubes | 4 |
| 30400104 | Clamp Microplate Stainless Steel | 12 |
| 30400062 | Rubber Mat, 46 × 46 cm | 1 |

| Accessories for Universal Platform—61 × 46 cm (Item No. 30400056) | | |
|---|---------------------------------------|-------------------|
| Item No. | Description | Max. per Platform |
| 30400084 | Flask Clamp, 10 mL | 158 |
| 30400085 | Flask Clamp, 25 mL | 88 |
| 30400086 | Flask Clamp, 50 mL | 44 |
| 30400087 | Flask Clamp, 125 mL | 28 |
| 30400088 | Flask Clamp, 250 mL | 28 |
| 30400089 | Flask Clamp, 500 mL | 20 |
| 30400090 | 1 Liter Erlenmeyer Flask Clamp | 12 |
| 30400091 | 2 Liter Erlenmeyer Flask Clamp | 6 |
| 30400092 | 2.8 Liter Erlenmeyer Flask Clamp | 3 |
| 30400093 | 3 Liter Erlenmeyer Flask Clamp | 3 |
| 30400094 | 4 Liter Erlenmeyer Flask Clamp | 4 |
| 30400095 | 5 Liter Erlenmeyer Flask Clamp | 4 |
| 30400096 | 6 Liter Erlenmeyer Flask Clamp | 3 |
| 30400097 | 500 mL Media Bottle Clamp | 20 |
| 30400098 | 1000 mL Media Bottle Clamp | 13 |
| 30400099 | Flask Clamp PVC 125 mL | 28 |
| 30400100 | Flask Clamp PVC 250 mL | 25 |
| 30400101 | Flask Clamp PVC 500 mL | 16 |
| 30400102 | Flask Clamp PVC 1000 mL | 10 |
| 30400103 | Flask Clamp PVC 2000 mL | 6 |
| 30400105 | Test Tube Rack 13 mm Pivoting | 3 |
| 30400106 | Test Tube Rack 16 mm Pivoting | 3 |
| 30400107 | Test Tube Rack 20 mm Pivoting | 3 |
| 30400108 | Test Tube Rack 25 mm Pivoting | 3 |
| 30400109 | Test Tube Rack 30 mm Pivoting | 3 |
| 30400110 | Test Tube Rack 10-14 mm Stationary | 5 |
| 30400111 | Test Tube Rack 16-20 mm Stationary | 5 |
| 30400112 | Test Tube Rack 21-25 mm Stationary | 5 |
| 30400113 | Test Tube Rack 50 mL Tubes Stationary | 5 |
| 30400114 | Micro Tube Rack | 6 |
| 30400115 | Test Tube Rack 10-13 mm Diameter | 6 |
| 30400116 | Test Tube Rack 14-16 mm Diameter | 6 |
| 30400117 | Test Tube Rack 18-20 mm Diameter | 6 |
| 30400118 | Test Tube Rack 22-25 mm Diameter | 6 |
| 30400119 | Test Tube Rack For 15 mL Tubes | 6 |
| 30400120 | Test Tube Rack For 50 mL Tubes | 6 |
| 30400104 | Clamp Microplate Stainless Steel | 18 |
| 30400063 | Rubber Mat, 46 × 61 cm | 1 |



30400096
6 Liter Erlenmeyer Flask Clamp



30400102
Flask Clamp PVC 1000 mL



30400093
3 Liter Erlenmeyer Flask Clamp



30400120
Test Tube Rack For 50 mL Tubes

OHAUS CORPORATION

7 Campus Drive
Suite 310
Parsippany, NJ 07054 USA

Tel: 800.672.7722
973.377.9000
Fax: 973.944.7177

www.ohaus.com

*The management system
governing the manufacture
of this product is
ISO 9001:2015 certified.*

